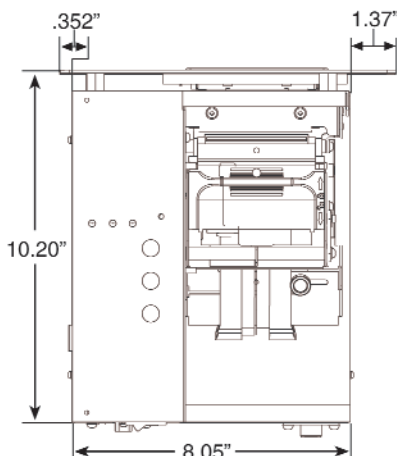
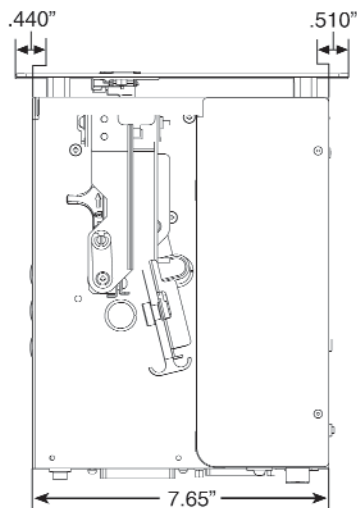


# PRODUCT SPECIFICATIONS

## SV-CLASS

SV-3210

SV-3306

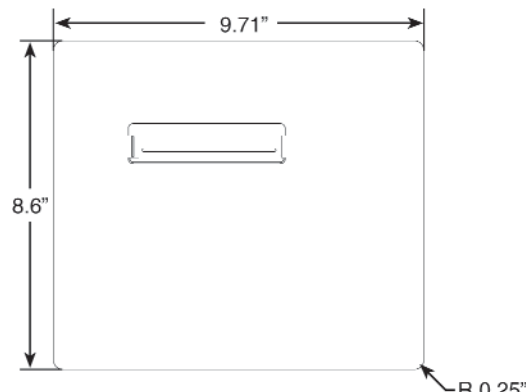


Need to meet a specific in-counter admissions application requirement?

Datamax S-Class products can deliver your ticket!

Manufactured specifically for use in the ticketing industry as high-performance, value-priced products, the Datamax SV-3210 and SV-3306 redefine on-demand price and performance criteria for vertical mount admissions ticketing.

Material: 304 Stainless Steel, 13GA (.0897")



**DATAMAX**<sup>®</sup>

**Corporate Headquarters**  
4501 Parkway  
Commerce Boulevard  
Orlando, Florida USA 32808  
(407) 578-8007  
Fax (407) 578-8377  
<http://www.datamaxcorp.com>

**Datamax International**  
Herbert House  
Elizabeth Way, Pinnacles  
Harlow, Essex CM19 5FE UK  
+44 1279 772200  
Fax +44 1279 424448

**Datamax Latin America**  
4501 Parkway  
Commerce Boulevard  
Orlando, Florida USA 32808  
(407) 523-5520  
Fax (407) 578-8377

**Asia-Pacific Sales**  
19 Loyang Way  
#01-01 CILC Building  
Singapore 508724  
+65 542-2611  
Fax +65 542-3611

	SV-3210	SV-3306
PRINT SPEED	10 IPS	6 IPS
RESOLUTION	203 DPI	300 DPI
PRINT WIDTH	3.15" (80 mm)	3.2" (81.3mm)

PRINTER TYPE	Direct Thermal
BAR CODE MODULUS	5 mil to 55 mil (203 dpi) / 3.3 mil to 40 mil (300 dpi) "X" dimension in picket fence or ladder orientations
MEDIA WIDTH	1.9" – 3.25" (48.26mm – 82.55mm)
MEDIA TYPE	Fan-fold tickets or tags
MEDIA THICKNESS	.005" – .0100" (.127mm – .254mm)
MEDIA SENSING	Adjustable reflective sensor for media with black stripe sensing (Automatic feed and top of ticket presentation)
PRINT LENGTH*	1" – 12" (25mm – 304.8mm) * Print length values vary with printer configuration
LABEL BACKFEED	For use with optional cutter
CABINET	Metal construction
BAR CODES	Code 3 of 9, UPC-A, UPC-E, Interleaved 2 of 5, Code 128, EAN-8, EAN-13, HIBC, Codabar, Plessey, UPC 2 and 5 digit addendums, Code 93, Postnet, UCC/EAN Code 128, Telepen, UPS MaxiCode, FIM, PDF417, Datamatrix
RESIDENT FONTS	Ten alphanumeric fonts from .035" (.89mm) to .64" (16.26mm) including OCR-A, OCR-B, CG Triumvirate™ smooth font from AGFA®.
CHARACTER SET	Modified IBM® Code Page 850; includes characters for English and most European, Scandinavian and Spanish speaking countries
FONT EXPANSION/ROTATION	All fonts expandable vertically and horizontally up to 8x; fonts and graphics can be printed in four directions: 0°, 90°, 180° and 270°
GRAPHICS SUPPORTED	.PCX, .BMP and .IMG files
REVERSE FIELDS/MIRROR IMAGE	Any font or graphic field can be printed as a normal or reverse image
PROGRAMMING LANGUAGE	DPL™ (Datamax Programming Language™) and DTPL™ (Datamax Ticket Programming Language™) (Ticket Industry Standard Emulation)
INTERFACES	Centronics® Parallel port, RS232 at 600 to 38,400 BPS
TIME AND DATE	Clock and counter circuit to keep the current time, date, and amount of inches printed for jobs requiring a time/date stamp as part of their format.
WINDOWS® DRIVER	Used for creating label formats using virtually any Windows®-based program. Included on Datamax Accessories CD, or via our web site at <a href="http://www.datamaxcorp.com">www.datamaxcorp.com</a>
POWER SOURCE	110 or 220 VAC @ 50 – 60 Hz; specify appropriate power cord when ordering
OPERATING TEMPERATURE	32°F to 100°F (0°C to 38°C)
DIMENSIONS	10" H x 8" W x 14" D (254mm H x 203mm W x 356mm D)
WEIGHT	18.8 lbs., 8.46Kg

**DATAMAX SV-CLASS OPTIONS:**

- CUTTER AND TRAY
- FLASH MEMORY MODULES
- ILPC FIRMWARE
- ETHERNET PRINT SERVER



Built to UL, CSA and TUV-GS safety standards, FCC Class A emissions standard and CE Mark. This data sheet is for informational purposes only. DATAMAX MAKES NO WARRANTIES, EXPRESSED OR IMPLIED IN THIS SUMMARY. Specifications are subject to change without notice. All trademarks are the property of their respective owners. ©2002 DATAMAX BAR CODE PRODUCTS CORPORATION. All rights reserved 09/02. Datamax is an ISO 9001 registered company.

